

PALLET BOX POOL



A faster, cost-saving, environment-friendly, easy-to-use, and secure receptacle for tracked e-commerce items

Why?

In the past, methods of cross-border road transport were not efficient, due to the use of cages and other old fashioned tools. In order to streamline operations both domestically and cross-border while saving costs, the IPC Pallet Box was created. The IPC Pallet Box allows for a more efficient use of road transport through minimising equipment tare weight and maximising the use of the load capacity, making the IPC Pallet Box eco friendly.

How does it work?

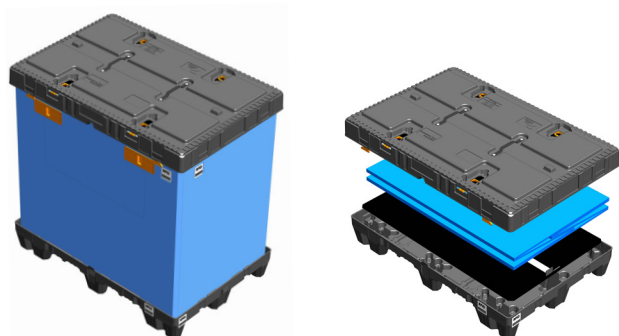
The IPC Pallet Box has been designed to be 100% recyclable, environmentally friendly, durable, lightweight, easy to use and weather & chemical resistant. The Pallet Box is a durable construction with smooth internal surfaces that ensures ease of cleaning and a longer and reliable service.

As a cost-effective Reusable Transit Packaging (RTP), IPC Pallet Boxes are both collapsible and have a very low tare weight, offering many advantages to the repatriation processes and storage between uses.

Stacking IPC Pallet Boxes allows for the fullest volume exploitation across operations especially truck cargo space and load capacity utilisation, but also storage floor area during pre-transport staging and receipt at a destination Office of Exchange.

The Pallet Boxes are equipped with three RFID tags (one on each element of the Pallet Box), allowing for centrally managed tracking of assets. This data provides the backbone for IPC's Central Pool Management, which tracks unit levels in circulation and stock levels at operating stations, thereby enabling a maximum use of the units while ensuring member posts have sufficient stock at all times.

Vital statistics



External dimensions	L 1200 x W 800 x H 1200 mm "Euro Pallet" - Fourway entry
Internal dimensions:	L 1150 x W 745 x H 1000 mm
Tare weight:	25.7 kg
Maximum 'Net' weight:	325 kg
Stack:	Full x 1 / 1(2) Folded x 1 / 7 (8)
Truck load:	66 Full (double stacked) 264 Folded

Benefits

- **Transport**

Postal Offices of Exchange benefit from double stacking, allowing for 66 “Euro Pallet” IPC Pallet Boxes to be transported on one truck, with a potential weight of more than 21 tonnes. Loose mail in stacked Pallet Boxes can significantly increase the load factor per truck and thus, reduces the number of trucks required.

- **Folding & storage**

Sequential folding, performed by one person in approximately 30 seconds. No splinters, nails, screws or rotten loose boards. A foldable sleeve allows for easier repatriation and storage of empty and unused receptacles. The Pallet Box has three distinctive parts: a base, a foldable sleeve that is attached to the base, and a lid. By folding the sleeve onto the base and putting the lid on the top we get a much ‘smaller’ pallet box, thus optimising the storage space.

- **Easy sleeve**

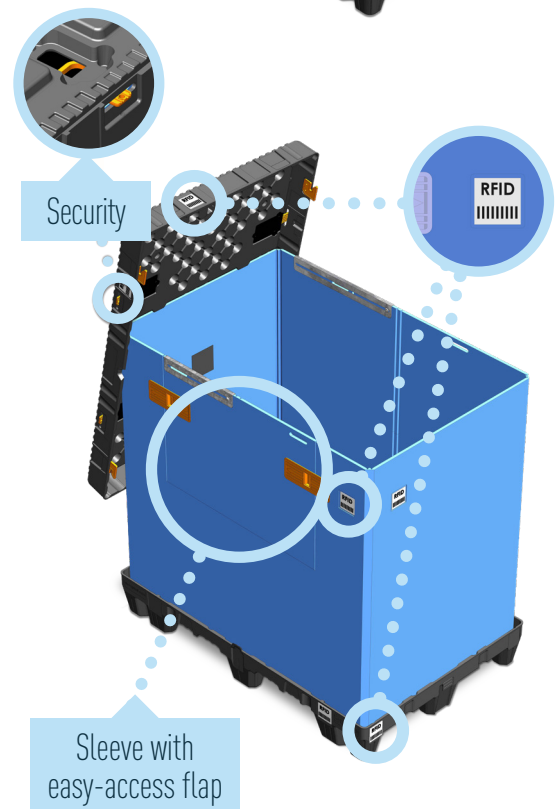
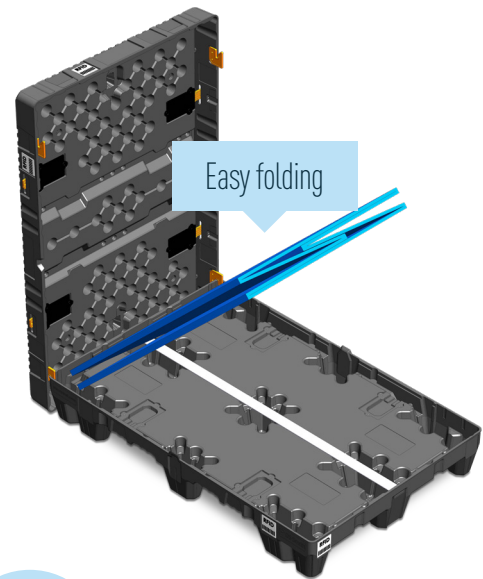
The IPC Pallet Box ‘Easy Sleeve’ with easy-access flap provides unrestricted access for efficient unloading of mail. The ‘Easy Sleeve’ reduces the need for bending and stretching, thereby reducing the potential of manual-handling injuries.

- **Security**

An incorporated locking system that allows for security tags make it a secure and tamper-evident receptacle, thereby ensuring the safety of mail items.

- **Automated stock management**

RFID compatibility allows for centrally managed streamlining to maximise the efficiency of operations in real time, equaling better stock management and delivering greater unit rotation efficiencies.



Facts and figures

- Used by eight postal operators
- 11,000 Pallet Boxes in use
- 260,000 Pallet Boxes exchanged in 2019
- 86 international routes

More information

For more information, visit our website: www.ipc.be.
To find out more about the Pallet Box, contact us via e-mail at palletbox.support@ipc.be.



More info